

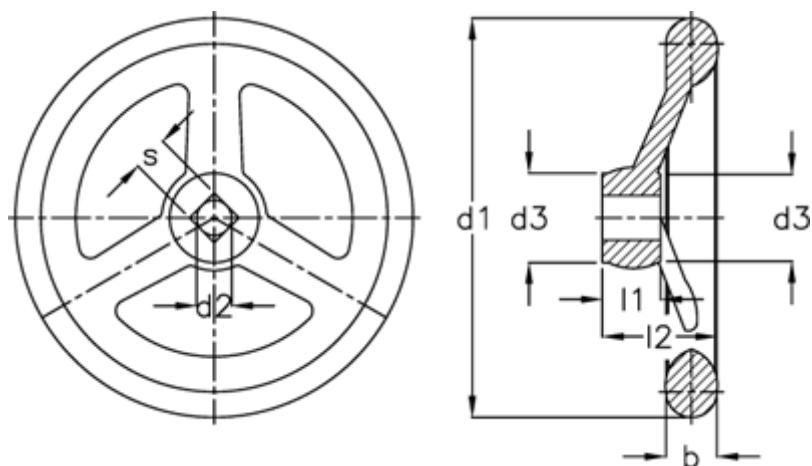
Data Sheet



Article number: 20303267

Description: E+G Handwheel
DIN 950-GG-80-K12-A

Measures



b = 14

d1 = 80

d2 H7 = 12

d3 = 24

l1 = 16

l2 = 29

Number of spokes = 3